

## Valves and spare parts for designer radiators

08

TopFAR thermostatic valves and lockshield valves	225
TopFAR thermostatic single/double pipe valves	234
TopFAR thermostatic single pipe valves	238
Accessories and spare parts for designer radiators	239
Adapters and sealing kit	241

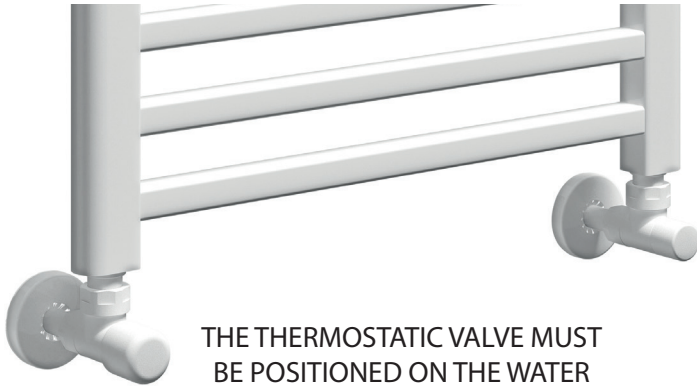


TOPFAR KIT complete with:

- angled thermostatic valve complete with nut
- angled lockshield valve complete with nut
- no. 2 plastic wall covering plates
- no. 2 sealing compression KITS in rubber for Ø 10 copper pipe
- no. 2 sealing compression KITS in rubber for Ø 12 copper pipe
- no. 2 sealing compression KITS in rubber for Ø 14 copper pipe
- no. 2 adapters for Ø 16x2 MULTILAYER pipe

Valve and lockshield valve complete with:

- Interchangeable sizes for copper, plastic and multilayer pipe
- Terminal provided with EPDM gasket



THE THERMOSTATIC VALVE MUST  
BE POSITIONED ON THE WATER  
INLET SIDE



ART. 0158CL



ART. 0158BC



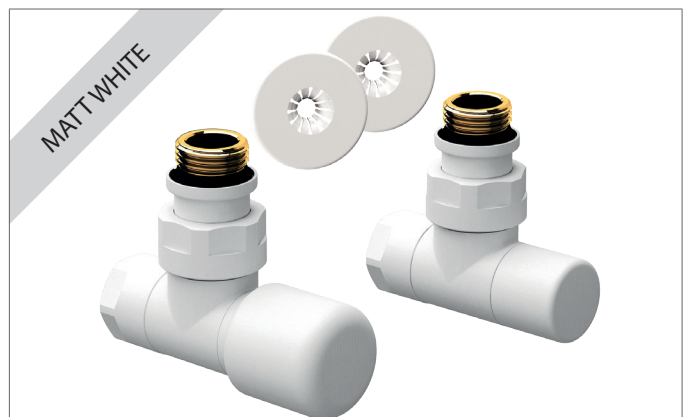
ART. 0158BL



Code	colour	finish	size	€	box
0158 12CL	chrome	glossy	1/2"		1
0158 12BC	white-chrome	glossy	1/2"		1
0158 12BL	white	glossy	1/2"		1
0158 12NO	black	matt	1/2"		1
0158 12BO	white	matt	1/2"		1



ART. 0158NO



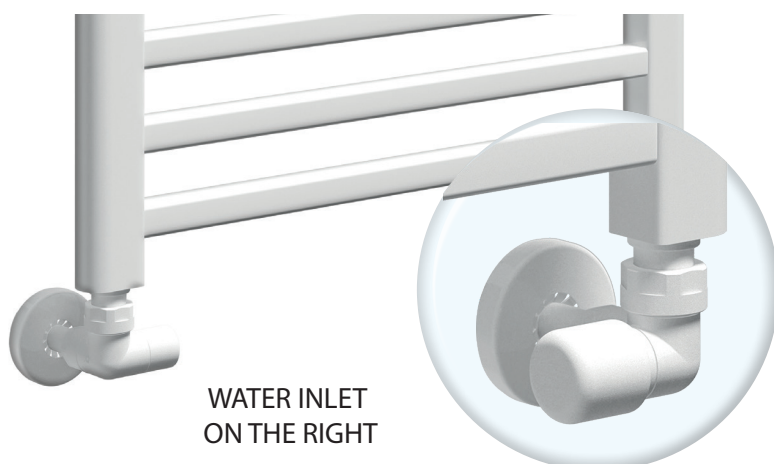
ART. 0158BO

TOPFAR KIT WITH WATER INLET ON THE RIGHT complete with :

- thermostatic valve, left-angled version, complete with nut
- lockshield valve, right-angled, complete with nut
- no. 2 plastic wall covering plates
- no. 2 sealing compression KITS in rubber for Ø 10 copper pipe
- no. 2 sealing compression KITS in rubber for Ø 12 copper pipe
- no. 2 sealing compression KITS in rubber for Ø 14 copper pipe
- no. 2 adapters for Ø 16x2 MULTILAYER pipe

Valve and lockshield valve complete with:

- Interchangeable sizes for copper, plastic and multilayer pipe
- Terminal provided with EPDM gasket



WATER INLET  
ON THE RIGHT

Top FAR

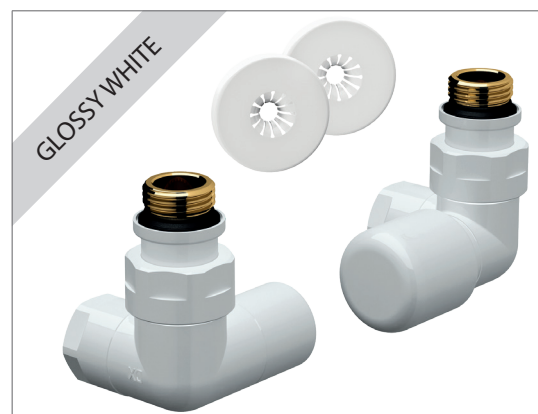
Code	colour	finish	size	€	box
0156 12CL	chrome	glossy	1/2"		1
0156 12BC	white-chrome	glossy	1/2"		1
0156 12BL	white	glossy	1/2"		1
0156 12NO	black	matt	1/2"		1
0156 12BO	white	matt	1/2"		1



ART. 0156CL



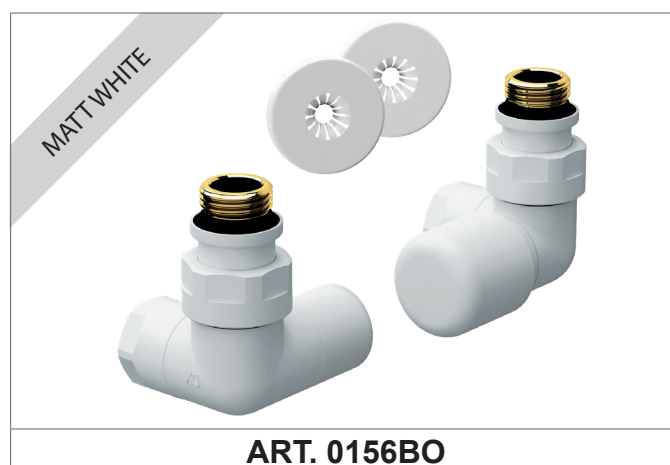
ART. 0156BC



ART. 0156BL



ART. 0156NO



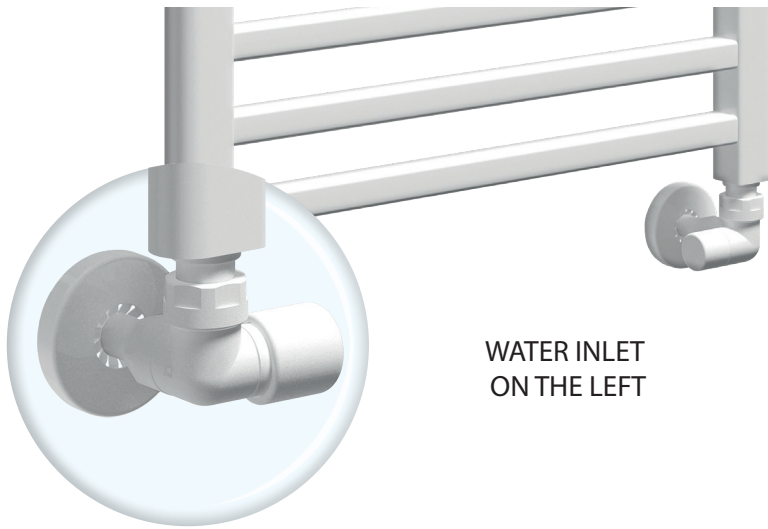
ART. 0156BO

TOPFAR KIT WITH WATER INLET ON THE LEFT complete with :

- thermostatic valve, right-angled version, complete with nut
- lockshield valve, left-angled, complete with nut
- no. 2 plastic wall covering plates
- no. 2 sealing compression KITS in rubber for Ø 10 copper pipe
- no. 2 sealing compression KITS in rubber for Ø 12 copper pipe
- no. 2 sealing compression KITS in rubber for Ø 14 copper pipe
- no. 2 adapters for Ø 16x2 MULTILAYER pipe

Valve and lockshield valve complete with:

- Interchangeable sizes for copper, plastic and multilayer pipe
- Terminal provided with EPDM gasket



WATER INLET  
ON THE LEFT



ART. 0157CL



ART. 0157BC



ART. 0157BL



Code	colour	finish	size	€	box
0157 12CL	chrome	glossy	1/2"		1
0157 12BC	white-chrome	glossy	1/2"		1
0157 12BL	white	glossy	1/2"		1
0157 12NO	black	matt	1/2"		1
0157 12BO	white	matt	1/2"		1



ART. 0157NO



ART. 0157BO

Thermostatic valve complete with nut, left-angled version.

- Interchangeable sizes for copper, plastic and multilayer pipe
- Terminal provided with EPDM gasket
- Individual box with protection
- Ø 16 mm nut



ART. 0101



ART. 0111



ART. 0161



ART. 0151



ART. 0153

**Top**  
FAR



Code	colour	finish	size	€	box
0101 38P	chrome	glossy	3/8"		1
0101 12P	chrome	glossy	1/2"		1
0111 38P	white-chrome	glossy	3/8"		1
0111 12P	white-chrome	glossy	1/2"		1
0161 12P	white	glossy	1/2"		1

**Top**  
FAR



Code	colour	finish	size	€	box
0151 12P	black	matt	1/2"		1
0153 12P	white	matt	1/2"		1

Lockshield valve complete with nut, right-angled.

- Interchangeable sizes for copper, plastic and multilayer pipe
- Terminal provided with EPDM gasket
- Individual box with protection
- Ø 16 mm nut



ART. 0122



ART. 0132



ART. 0179



ART. 0172



ART. 0174

**Top**  
FAR



Code	colour	finish	size	€	box
0122 38P	chrome	glossy	3/8"		1
0122 12P	chrome	glossy	1/2"		1
0132 38P	white-chrome	glossy	3/8"		1
0132 12P	white-chrome	glossy	1/2"		1
0179 12P	white	glossy	1/2"		1

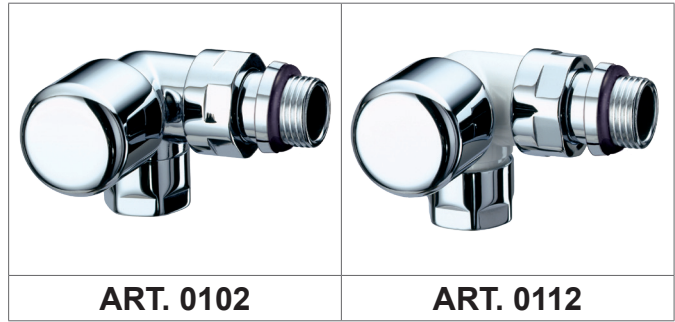
**Top**  
FAR



Code	colour	finish	size	€	box
0172 12P	black	matt	1/2"		1
0174 12P	white	matt	1/2"		1

Thermostatic valve complete with nut, right-angled version.

- Interchangeable sizes for copper, plastic and multilayer pipe
- Terminal provided with EPDM gasket
- Individual box with protection
- Ø 16 mm nut



ART. 0102

ART. 0112



ART. 0162

ART. 0152

ART. 0154

**Top FAR**

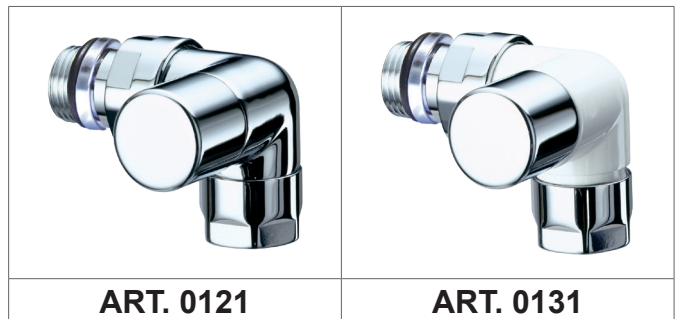
Code	colour	finish	size	€	box
0102 38P	chrome	glossy	3/8"		1
0102 12P	chrome	glossy	1/2"		1
0112 38P	white-chrome	glossy	3/8"		1
0112 12P	white-chrome	glossy	1/2"		1
0162 12P	white	glossy	1/2"		1

**Top FAR**

Code	colour	finish	size	€	box
0152 12P	black	matt	1/2"		1
0154 12P	white	matt	1/2"		1

Lockshield valve complete with nut, left-angled.

- Interchangeable sizes for copper, plastic and multilayer pipe
- Terminal provided with EPDM gasket
- Individual box with protection
- Ø 16 mm nut



ART. 0121

ART. 0131



ART. 0178

ART. 0171

ART. 0173

**Top FAR**

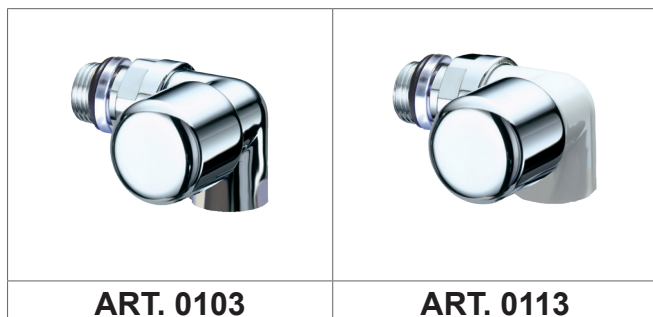
Code	colour	finish	size	€	box
0121 38P	chrome	glossy	3/8"		1
0121 12P	chrome	glossy	1/2"		1
0131 38P	white-chrome	glossy	3/8"		1
0131 12P	white-chrome	glossy	1/2"		1
0178 12P	white	glossy	1/2"		1

**Top FAR**

Code	colour	finish	size	€	box
0171 12P	black	matt	1/2"		1
0173 12P	white	matt	1/2"		1

Thermostatic valve, left-angled version.

- Iron pipe connection
- Terminal provided with EPDM gasket
- Individual box with protection

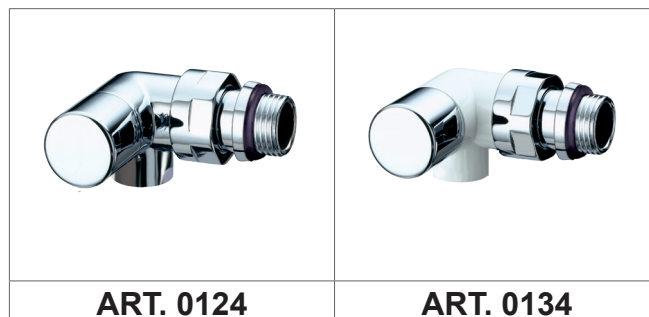


ART. 0103

ART. 0113

Lockshield valve, right-angled version.

- Iron pipe connection
- Terminal provided with EPDM gasket
- Individual box with protection



ART. 0124

ART. 0134

**Top**  
FAR



Code	colour	finish	size	€	box
0103 38P	chrome	glossy	3/8"		1
0103 12P	chrome	glossy	1/2"		1
0113 38P	white-chrome	glossy	3/8"		1
0113 12P	white-chrome	glossy	1/2"		1

**Top**  
FAR



Code	colour	finish	size	€	box
0124 38P	chrome	glossy	3/8"		1
0124 12P	chrome	glossy	1/2"		1
0134 38P	white-chrome	glossy	3/8"		1
0134 12P	white-chrome	glossy	1/2"		1

Thermostatic valve, right-angled version.

- Iron pipe connection
- Terminal provided with EPDM gasket
- Individual box with protection



ART. 0104

ART. 0114

Lockshield valve, left-angled version.

- Iron pipe connection
- Terminal provided with EPDM gasket
- Individual box with protection



ART. 0123

ART. 0133

**Top**  
FAR



Code	colour	finish	size	€	box
0104 38P	chrome	glossy	3/8"		1
0104 12P	chrome	glossy	1/2"		1
0114 38P	white-chrome	glossy	3/8"		1
0114 12P	white-chrome	glossy	1/2"		1

**Top**  
FAR

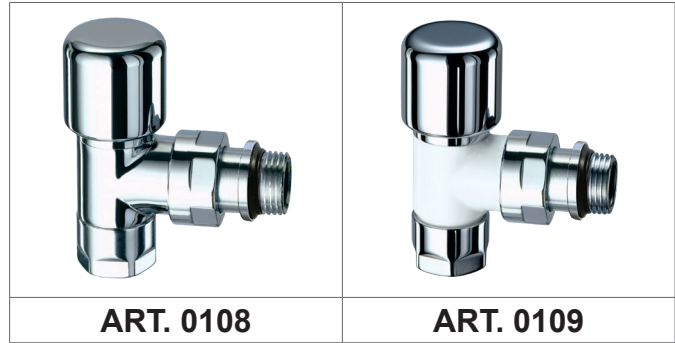


Code	colour	finish	size	€	box
0123 38P	chrome	glossy	3/8"		1
0123 12P	chrome	glossy	1/2"		1
0133 38P	white-chrome	glossy	3/8"		1
0133 12P	white-chrome	glossy	1/2"		1



Thermostatic angled valve complete with nut.

- Interchangeable sizes for copper, plastic and multilayer pipe
- Terminal provided with EPDM gasket
- Individual box with protection
- Ø 16 mm nut



ART. 0108

ART. 0109



ART. 0159

ART. 0143

ART. 0144



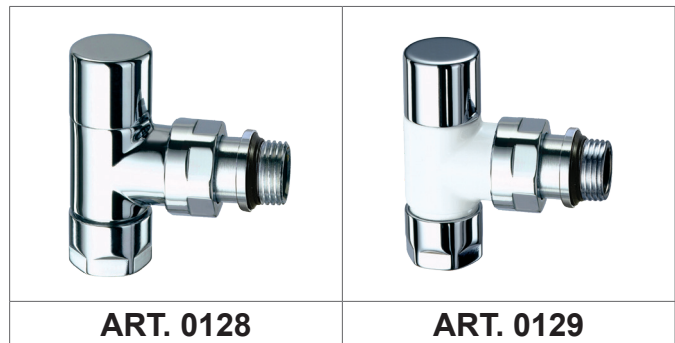
Code	colour	finish	size	€	box
0108 38P	chrome	glossy	3/8"		1
0108 12P	chrome	glossy	1/2"		1
0109 38P	white-chrome	glossy	3/8"		1
0109 12P	white-chrome	glossy	1/2"		1
0159 12P	white	glossy	1/2"		1



Code	colour	finish	size	€	box
0143 12P	black	matt	1/2"		1
0144 12P	white	matt	1/2"		1

Angled lockshield valve complete with nut.

- Interchangeable sizes for copper, plastic and multilayer pipe
- Terminal provided with EPDM gasket
- Individual box with protection
- Ø 16 mm nut



ART. 0128

ART. 0129



ART. 0177

ART. 0163

ART. 0164



Code	colour	finish	size	€	box
0128 38P	chrome	glossy	3/8"		1
0128 12P	chrome	glossy	1/2"		1
0129 38P	white-chrome	glossy	3/8"		1
0129 12P	white-chrome	glossy	1/2"		1
0177 12P	white	glossy	1/2"		1



Code	colour	finish	size	€	box
0163 12P	black	matt	1/2"		1
0164 12P	white	matt	1/2"		1

Thermostatic angled valve.

- Iron pipe connection
- Terminal provided with EPDM gasket
- Individual box with protection



ART. 0148

ART. 0149

Angled lockshield valve.

- Iron pipe connection
- Terminal provided with EPDM gasket
- Individual box with protection



ART. 0168

ART. 0169

**Top**  
FAR



Code	colour	finish	size	€	box
0148 38P	chrome	glossy	3/8"		1
0148 12P	chrome	glossy	1/2"		1
0149 38P	white-chrome	glossy	3/8"		1
0149 12P	white-chrome	glossy	1/2"		1

**Top**  
FAR



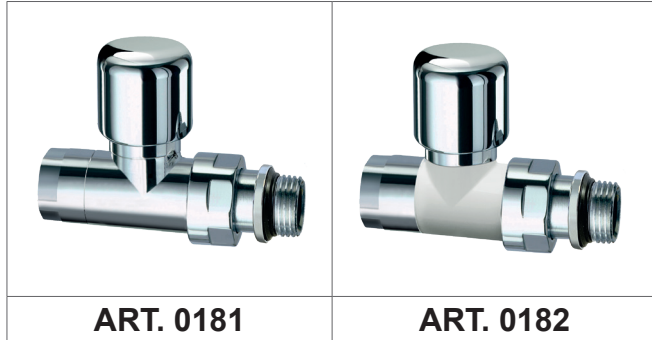
Code	colour	finish	size	€	box
0168 38P	chrome	glossy	3/8"		1
0168 12P	chrome	glossy	1/2"		1
0169 38P	white-chrome	glossy	3/8"		1
0169 12P	white-chrome	glossy	1/2"		1

## INSTALLATION OVERVIEW



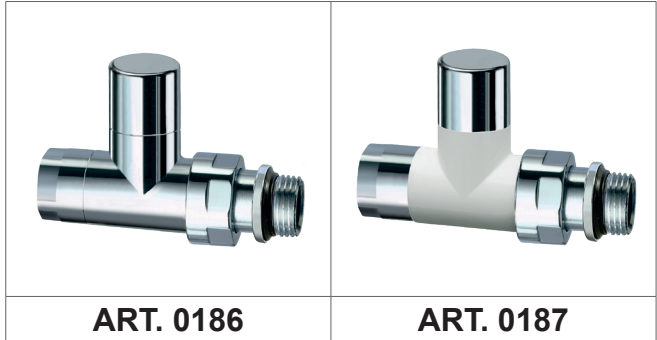
Thermostatic straight valve complete with nut.

- Interchangeable sizes for copper, plastic and multilayer pipe
- Terminal provided with EPDM gasket
- Individual box with protection
- Ø 16 mm nut



Straight lockshield valve complete with nut.

- Interchangeable sizes for copper, plastic and multilayer pipe
- Terminal provided with EPDM gasket
- Individual box with protection
- Ø 16 mm nut



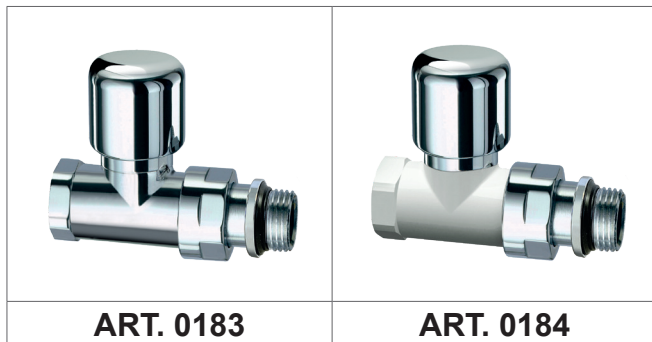
**Top**  
FAR



Code	colour	finish	size	€	box
0181 12P	chrome	glossy	1/2"		1
0182 12P	white-chrome	glossy	1/2"		1

Thermostatic straight valve.

- Iron pipe connection
- Terminal provided with EPDM gasket
- Individual box with protection



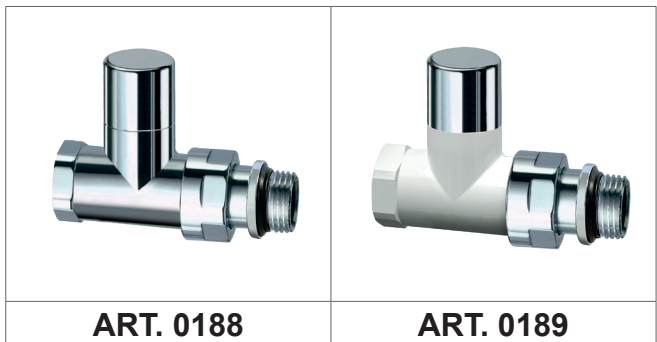
**Top**  
FAR



Code	colour	finish	size	€	box
0186 12P	chrome	glossy	1/2"		1
0187 12P	white-chrome	glossy	1/2"		1

Straight lockshield valve.

- Iron pipe connection
- Terminal provided with EPDM gasket
- Individual box with protection



**Top**  
FAR



Code	colour	finish	size	€	box
0183 12P	chrome	glossy	1/2"		1
0184 12P	white-chrome	glossy	1/2"		1

**Top**  
FAR



Code	colour	finish	size	€	box
0188 12P	chrome	glossy	1/2"		1
0189 12P	white-chrome	glossy	1/2"		1

Thermostatic angled SINGLE/DOUBLE PIPE valve.

- Connections: 3/4" EUROKONUS
- For radiators with 3/4" male connection
- Centre distance between ports: 50 mm
- EPDM flat faced gaskets
- Individual box with protection



**ART. 0261**

**Top**  
FAR



Code	colour	finish	outlets	€	box
0261	chrome	glossy	3/4" EUROKONUS		1

Thermostatic angled SINGLE/DOUBLE PIPE valve.

- Connections: FAR 24 x 19
- For radiators with 3/4" male connection
- Centre distance between ports: 50 mm
- EPDM flat faced gaskets
- Individual box with protection
- Ø 16 mm nut



**ART. 0262**

**Top**  
FAR



Code	colour	finish	outlets	€	box
0262	chrome	glossy	24 x 19		1

Thermostatic straight SINGLE/DOUBLE PIPE valve.

- Connections: 3/4" EUROKONUS
- For radiators with 3/4" male connection
- Centre distance between ports: 50 mm
- EPDM flat faced gaskets
- Individual box with protection



**ART. 0266**

**Top**  
FAR



Code	colour	finish	outlets	€	box
0266	chrome	glossy	3/4" EUROKONUS		1

Thermostatic straight SINGLE/DOUBLE PIPE valve.

- Connections: FAR 24 x 19
- For radiators with 3/4" male connection
- Centre distance between ports: 50 mm
- EPDM flat faced gaskets
- Individual box with protection
- Ø 16 mm nut



**ART. 0267**

**Top**  
FAR



Code	colour	finish	outlets	€	box
0267	chrome	glossy	24 x 19		1

Thermostatic angled SINGLE/DOUBLE PIPE valve.

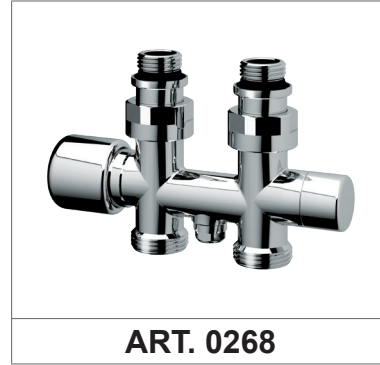
- Connections: 3/4" EUROKONUS
- For radiators with 1/2" female connection
- Centre distance between ports: 50 mm
- Terminal provided with EPDM gasket
- Individual box with protection



ART. 0263

Thermostatic straight SINGLE/DOUBLE PIPE valve.

- Connections: 3/4" EUROKONUS
- For radiators with 1/2" female connection
- Centre distance between ports: 50 mm
- Terminal provided with EPDM gasket
- Individual box with protection



ART. 0268

Top FAR 

Code	colour	finish	outlets	€	box
0263	chrome	glossy	3/4" EUROKONUS		1

Top FAR 

Code	colour	finish	outlets	€	box
0268	chrome	glossy	3/4" EUROKONUS		1

Thermostatic straight SINGLE/DOUBLE PIPE valve.

- Connections: FAR 24 x 19
- For radiators with 1/2" female connection
- Centre distance between ports: 50 mm
- Terminal provided with EPDM gasket
- Individual box with protection
- Ø 16 mm nut



ART. 0269

Top FAR 

Code	colour	finish	outlets	€	box
0269	chrome	glossy	24 x 19		1

Thermostatic angled SINGLE/DOUBLE PIPE valve.

- Connections: FAR 24 x 19
- For radiators with 1/2" female connection
- Centre distance between ports: 50 mm
- Terminal provided with EPDM gasket
- Individual box with protection
- Ø 16 mm nut



ART. 0264

ART. 0264BO

ART. 0264NO

Top  
FAR



Code	colour	finish	outlets	€	box
0264	chrome	glossy	24 x 19		1
0264 BO	white	matt	24 x 19		1
0264 NO	black	matt	24 x 19		1



Chrome-plated thermostatic SINGLE/DOUBLE PIPE valve, right-angled version, complete with union and nut.

- interchangeable sizes for copper, plastic and multilayer pipe
- 450 mm ø 10 mm metal probe
- Central connection on the heating body
- Centre distance between ports: 35 mm
- Individual box with protection
- Ø 16 mm nut



ART. 0286

ART. 0286BO

ART. 0286NO

Top  
FAR



Code	colour	finish	probe	size	€	box
0286	chrome	glossy	Ø 10	1/2"		1
0286 BO	white	matt	Ø 10	1/2"		1
0286 NO	black	matt	Ø 10	1/2"		1



Chrome-plated thermostatic SINGLE/DOUBLE PIPE valve, left-angled version, complete with union and nut.

- interchangeable sizes for copper, plastic and multilayer pipe
- 450 mm ø 10 mm metal probe
- Central connection on the heating body
- Centre distance between ports: 35 mm
- Individual box with protection
- Ø 16 mm nut

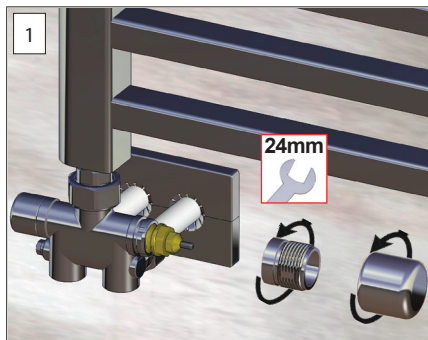


Code	colour	finish	probe	size	€	box
0288	chrome	glossy	Ø 10	1/2"		1
0288 BO	white	matt	Ø 10	1/2"		1
0288 NO	black	matt	Ø 10	1/2"		1

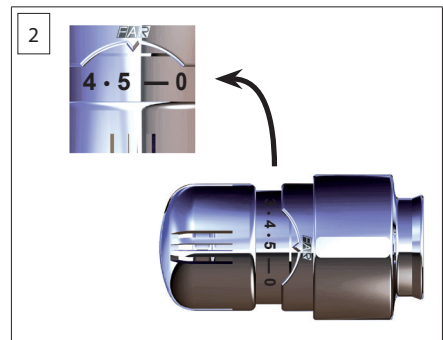
FUNCTION AND INSTALLATION OVERVIEWS



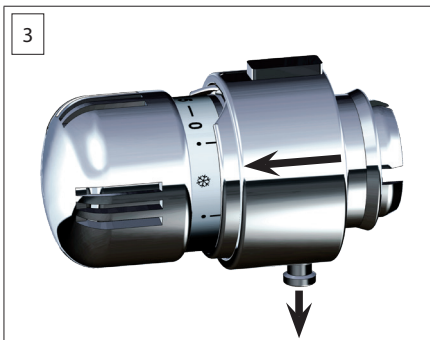
Installation overview of valve art. 0286 with thermostatic control art. 1827



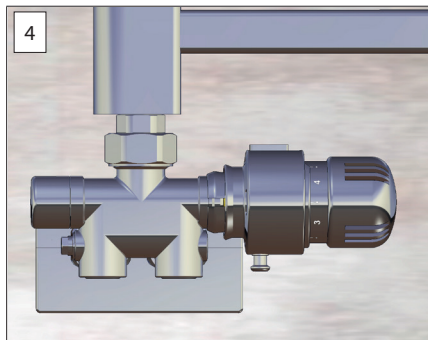
1 Unscrew the handle and the threaded support from the valve, using a 24mm wrench



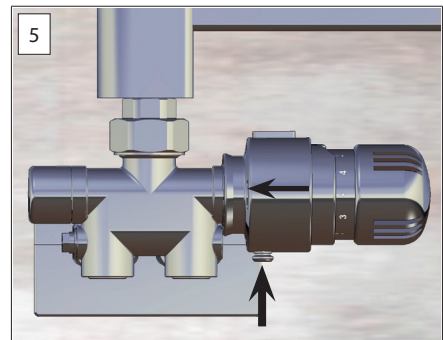
2 Set the thermostatic control on value 5



3 Pull the lock button down and push the ring towards the selector



4 Install the head on the valve control by matching the joints



5 Push the locking ring towards the valve and press the lock button

Thermostatic SINGLE PIPE valve complete with nut and union.

- interchangeable sizes for copper, plastic and multilayer pipe
- 450 mm  $\varnothing$  12 mm metal probe
- Centre distance between ports: 35 mm
- Individual box with protection
- $\varnothing$  16 mm nut



Top FAR  

Code	colour	finish	probe	size	€	box
0265 12	chrome	glossy	$\varnothing$ 12	1/2"		1
0265 34	chrome	glossy	$\varnothing$ 12	3/4"		1
0265 12BO	white	matt	$\varnothing$ 12	1/2"		1
0265 34BO	white	matt	$\varnothing$ 12	3/4"		1
0265 12NO	black	matt	$\varnothing$ 12	1/2"		1
0265 34NO	black	matt	$\varnothing$ 12	3/4"		1

Angled automatic air vent valve.

- Float: PP
- Individual box with protection



### ART. 0305

Code	colour	finish	size	€	box
0305 12	white	glossy	1/2"		1

Straight automatic air vent valve.

- Float: PP
- Individual box with protection



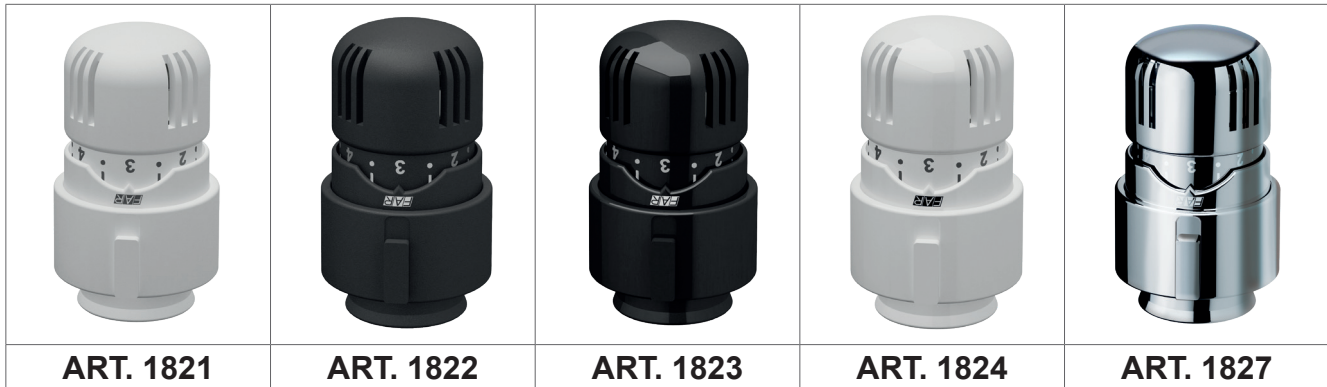
### ART. 0306

Code	colour	finish	size	€	box
0306 12	white	glossy	1/2"		1



Thermostatic control head. Built-in sensor with liquid-filled element.

- Temperature range: 7°÷28° C.
- Provided with regulation scale numbered from 1 to 5, to set the desired temperature.

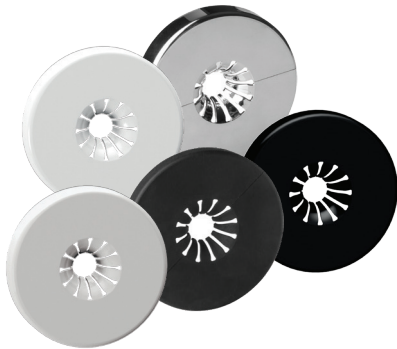


Code	colour	finish	€	box	pack
1821	white	matt		1	100
1822	black	matt		1	100
1823	black	glossy		1	100

Code	colour	finish	€	box	pack
1824	white	glossy		1	100
1827	chrome	glossy		1	100

Plastic wall covering plate for TopFAR valves and lockshield valves.

- Suitable for pipes from 10 to 20mm



**ART. 0441**

Code	colour	finish	Ø	€	box
0441 BO	white	matt	10÷20		10
0441 NO	black	matt	10÷20		10
0441 NL	black	glossy	10÷20		10
0441 BL	white	glossy	10÷20		150
0441 CL	chrome	glossy	10÷20		10

Plastic wall covering plate for TopFAR SINGLE/DOUBLE pipe valves.

- Suitable for pipes from 10 to 20mm



**ART. 6150**

Code	colour	finish	Ø	centre dist.	€	box
6150 35BO	white	matt	10÷20	35mm		10
6150 35NO	black	matt	10÷20	35mm		10
6150 35NL	black	glossy	10÷20	35mm		50
6150 35BL	white	glossy	10÷20	35mm		50
6150 35CL	chrome	glossy	10÷20	35mm		10
6150 50BO	white	matt	10÷20	50mm		10
6150 50NO	black	matt	10÷20	50mm		10
6150 50NL	black	glossy	10÷20	50mm		50
6150 50BL	white	glossy	10÷20	50mm		50
6150 50CL	chrome	glossy	10÷20	50mm		10

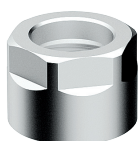
Covering cap for TopFAR lockshield valves.



### ART. 0345

Code	colour	finish	€	box
0345	chrome	glossy		1

Nut for TopFAR valves.



### ART. 0336

Code	colour	finish	size	€	box
0336 16	chrome	glossy	Ø 16		1
0336 18	chrome	glossy	Ø 18		1
0336 20	chrome	glossy	Ø 20		1

Covering cap for single/double pipe TopFAR valves.

- Glossy finish

### ART. 0355

Code	€	box
0355		1



Union for angled single/double pipe TopFAR valves.

- Glossy finish

### ART. 0377

Code	size	€	box
0377 12	1/2"		1



Nut for angled single/double pipe TopFAR valves.

- Glossy finish

### ART. 0367

Code	size	€	box
0367	3/4"		1



Chrome-plated adapter suitable for installation of electric actuators on thermostatic valves.

- M30x1,5 thread

### ART. 1941

Code	€	box
1941		1



Terminal for TopFAR valves and lockshield valves.

- Complete with nut
- Terminal provided with EPDM gasket



### ART. 0407

Code	colour	finish	size	€	box
0407 38	chrome	glossy	3/8"		1
0407 12	chrome	glossy	1/2"		1

Nut for TopFAR valves (Art. 0264-0286-0288-0262).



### ART. 0335

Code	colour	finish	size	€	box
0335 16	chrome	glossy	Ø 16		1
0335 18	chrome	glossy	Ø 18		1
0335 20	chrome	glossy	Ø 20		1

Manual control for TopFAR valves.



### ART. 0316

Code	colour	finish	€	box
0316	chrome	glossy		1

Threaded ring for manual control for TopFAR valves.

### ART. 0326

Code	colour	finish	€	box
0326	chrome	glossy		1



Chrome-plated eccentric fitting for connection in case of heating body replacement, with variation of centre line between ports.

- Connections: FEMALE-MALE
- Glossy finish



### ART. 0445

Code	centre line	size	€	box	pack
0445 112	cm. 1	1/2"x1/2"		25	250
0445 212	cm. 2	1/2"x1/2"		25	250

Kit for plastic pipes. Suitable for all our articles with 24x19 interchangeable connection.

Complete with:

- adapter for plastic pipe
- brass ring

NB. The ø16 nut is already provided with all products with copper connection.



**ART. 6050**

Code	pipe	Ø external diameter	€	box	pack
6050 48186	plastic	12x2,15		100	500
6050 4847	plastic	12x2		100	500
6050 48184	plastic	12x1,5		100	500
6050 6545	plastic	14x2		100	500
6050 4645	plastic	15x2,5		100	500
6050 4663	plastic	15x2		100	500
6050 46173	plastic	15x1,7		100	500
6050 5863	plastic	16x2,5		100	500
6050 58173	plastic	16x2,2		100	500
6050 5861	plastic	16x2		100	500
6050 58262	plastic	16x1,8		100	500
6050 5864	plastic	16x1,5		100	500

Kit for MULTILAYER pipes. Suitable for all our articles with 24x19 interchangeable connection.

Complete with:

- adapter for multilayer pipe
- brass ring

NB. The ø16 nut is already provided with all products with copper connection.



**ART. 6053**

Code	pipe	Ø external diameter	€	box
6053 65193	multilayer	14x2		100
6053 58190	multilayer	16x2		100
6053 58200	multilayer	16x2,25		100
6053 58278	multilayer	16,2x2,6		100

Kit for MULTILAYER pipes. Suitable for TopFAR products.

Complete with :

- adapter for multilayer pipe
- brass ring
- nut with 24x19 thread, high chrome finish



**ART. 0436**



Code	nut finish	pipe	Ø external diameter	€	box
0436 150810	chrome	multilayer	17x2		50
0436 44191	chrome	multilayer	18x2		50
0436 80204	chrome	multilayer	20x2		50
0436 80192	chrome	multilayer	20x2,25		50
0436 80201	chrome	multilayer	20x2,5		50

Sealing compression KIT in rubber for copper pipe.

Complete with:

- brass pipe guide washer
- rubber compression single-taper
- brass ring

NB. The ø16 nut is already provided with all products with copper connection.



**ART. 8430**

Code	pipe	size	€	box
8430 10	copper	Ø 10		500
8430 12	copper	Ø 12		500
8430 14	copper	Ø 14		500

Sealing compression KIT in rubber for copper pipe.

Complete with:

- rubber compression single-taper
- brass ring

NB. The ø16 nut is already provided with all products with copper connection.



**ART. 8431**

Code	pipe	size	€	box
8431 15	copper	Ø 15		500
8431 16	copper	Ø 16		500

